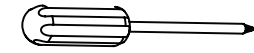


## LX-PNADJ Assembly Instructions

**Tools Required:**  
Philips Screw Driver  
(not included)



### Parts Key

<b>A</b> 	<b>B</b> 	<b>C</b> 	<b>D</b> 	<b>E</b> 	<b>F</b> 	<b>G</b> 	<b>H</b> 	<b>I</b> 	<b>J</b> 	<b>K</b> 	
<b>L</b> 	<b>M</b> 	<b>N</b> 									

**1**

Turn the Base (**B**) over to the underside, slide the Outer Plugs (**E**) onto the Base and align the screw holes. Using the 5mm Hex Key (**N**) insert screw (**I**) and washer (**H**) and tighten the Outer Plugs to each side.

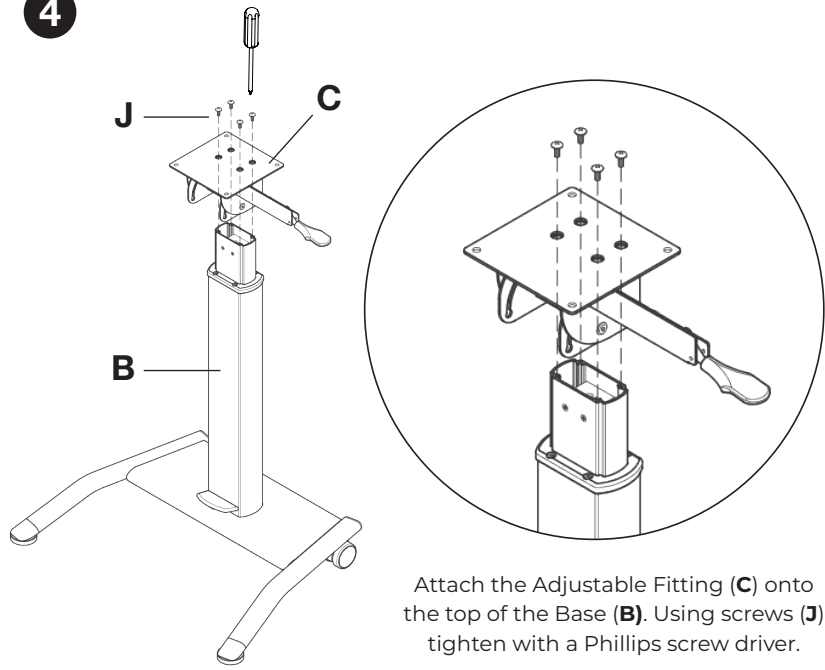
**2**

Attach the Adjustable Pads (**F**) to the Outer Plugs turning them until tight. Using the Spanner (**L**) and washer (**H**), attach and tighten the Casters (**G**).

**3**

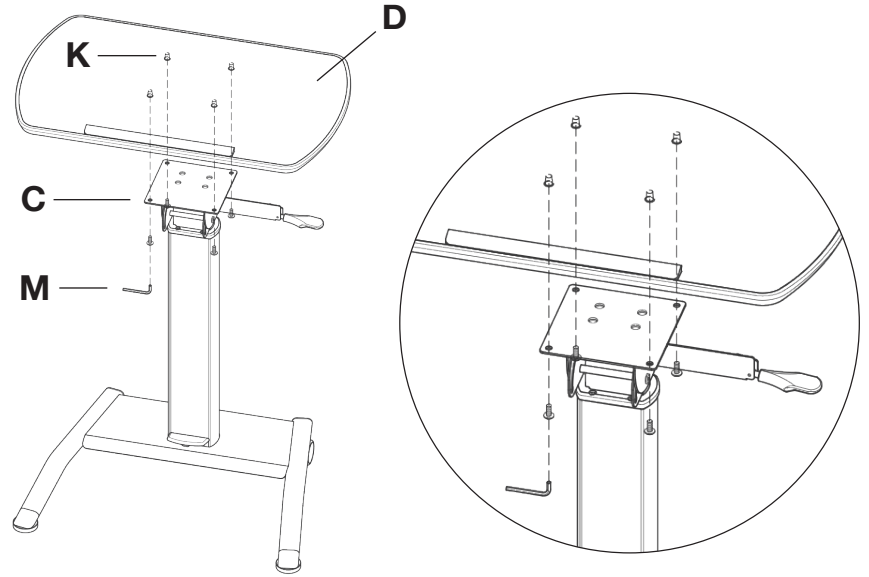
With the pneumatic lever facing up slide the Pillar (**A**) onto the Base (**B**). Using screws (**J**) attach with a Phillips screwdriver.

4



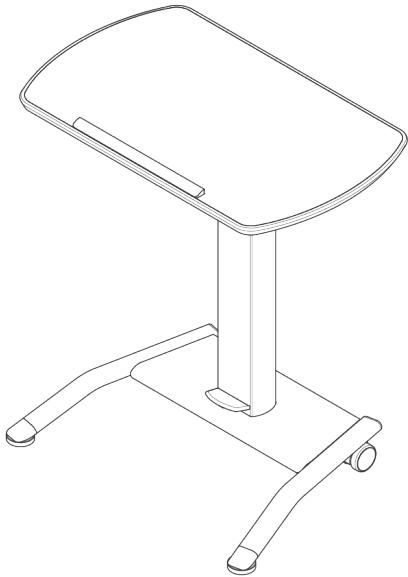
Attach the Adjustable Fitting (C) onto the top of the Base (B). Using screws (J) tighten with a Phillips screw driver.

5

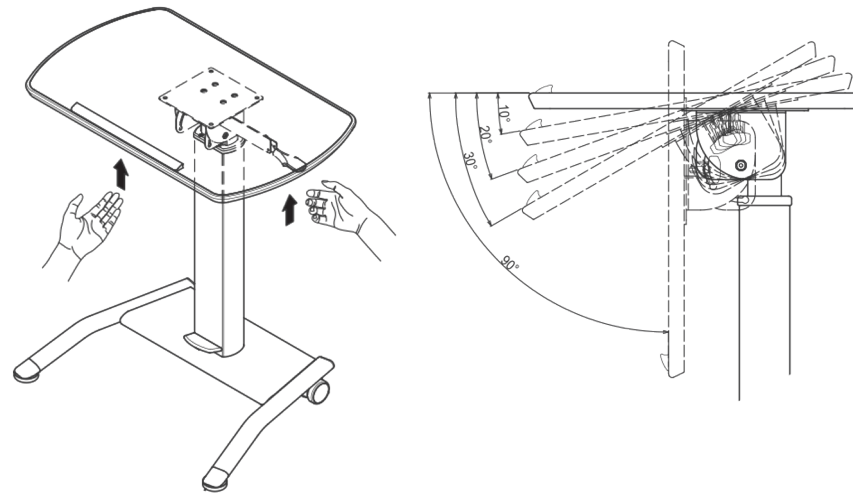


With the pencil tray facing the same direction as the pneumatic lever, attach the Desktop (D) onto the top of the Adjustable Fitting (C). Using screws (K) tighten with Hex Key (M).

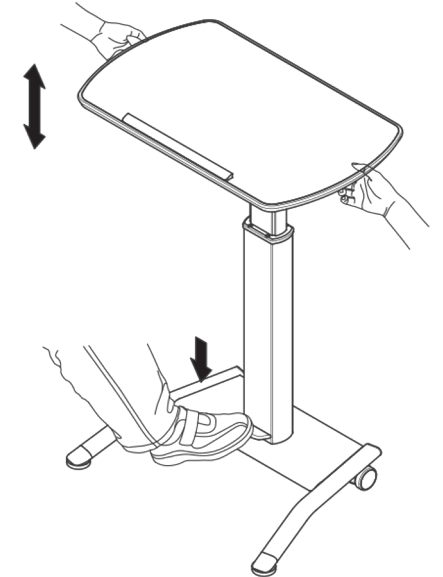
6



7



The Desktop (C) can be adjusted to various angles by holding the front of the Desktop and pressing the lever of the Adjustable Fitting (C) upward.



To adjust the Desktop (C) height, grab the Desktop with both hands while stepping on the pneumatic lever of the Base (B) to raise or lower the Desktop.